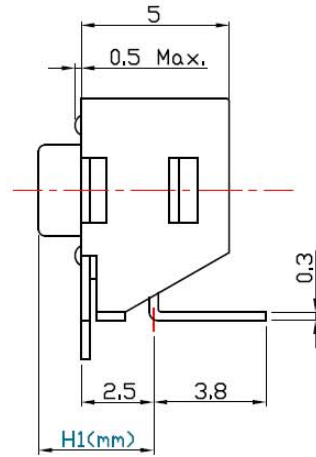
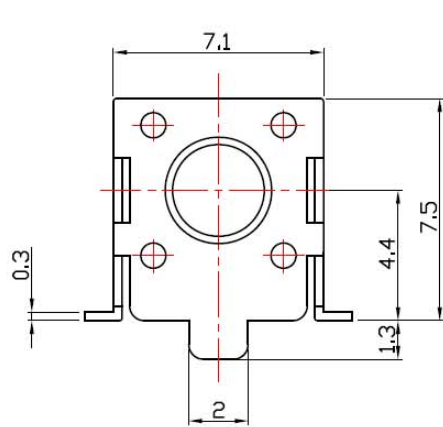
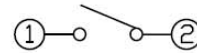


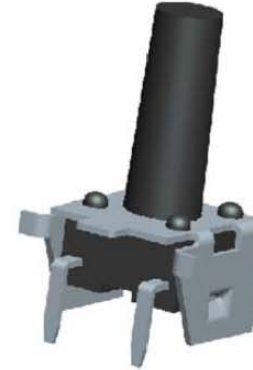
DIMENSIONS



CIRCUIT DIAGRAM



PRODUCT IMAGE

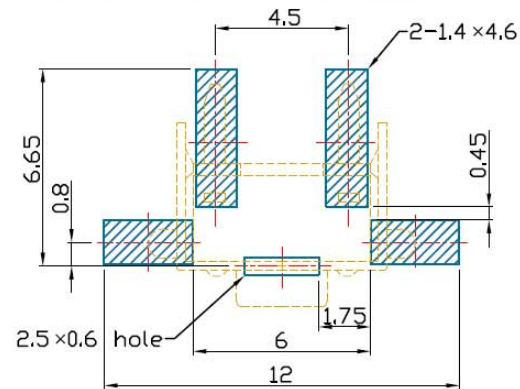
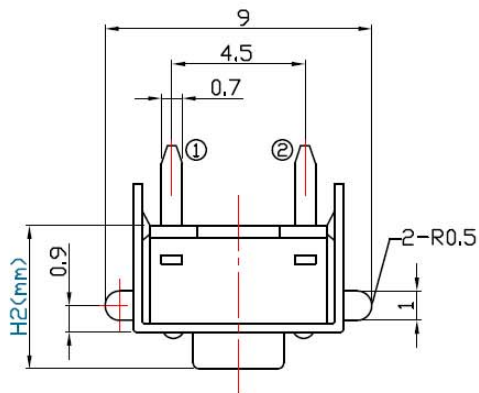


MODEL CODE

	H1	H2	φA
-	3.15	4.3	3.5
AS	3.35	4.5	3.5
A	3.85	5.0	3.5
AL	4.35	5.5	3.4
Q	4.85	6.0	3.4
QL	5.35	6.5	3.4
B	5.85	7.0	3.4
E	6.15	7.3	3.4
EL	6.35	7.5	3.4
C	6.85	8.0	3.4
CL	7.35	8.5	3.4
DS	7.85	9.0	3.3
D	8.35	9.5	3.3
DL	8.85	10.0	3.0
KS	9.35	10.5	3.0
K	9.85	11.0	3.0
KL	10.35	11.5	3.0
FS	10.85	12.0	3.0
F	11.35	12.5	3.0
FL	11.85	13.0	3.0
G	12.35	13.5	3.0
□	12.85	14.0	3.0
X	13.35	14.5	3.0
Y	13.85	15.0	3.0
Z	14.85	16.0	3.0
J	15.15	16.3	3.0
I	15.85	17.0	3.0
T	□2.4X2.4		
TA	□2.8X2.8		

P.C.B MOUNTING PATTERN DIMENSION

The following soldering patterns are recommended for reflow soldering



ELECTRO-MECHANICAL CHARACTERISTICS

Refer to additional specifications

Rating	DC 12V 50mA	
Contact Resistance	100mΩ Max.	
Travel	0.25 ± 0.1mm	
Operating Force	160±30gf	250±50gf
Operating Life(cycles)	100,000	Phosphor Bronze
	200,000	Stainless Steel
General Tolerance	±0.3	

